

# non-threaded PLUGS



## SEP Series

Applicable Specs.: MS-90376-YF, NAS-837B

Caplug No.	Dimensions					Packaging				Caplug No.
	To Fit Thread Size	B		C		Standard Carton		Mini Pak Quantity		
		in	mm	in	mm	Shipping Wt. (Approx.)			No. of Pieces	
						lbs	kgs			
SEP-8	1/2-28	.67	17.01	.62	15.74	10	4.5	5000	1000	SEP-8
SEP-10	5/8-24	.75	19.05	.62	15.74	12	5.4	5000	1000	SEP-10
SEP-12	3/4-20	.86	21.84	.62	15.74	17	7.6	5000	1000	SEP-12
SEP-14	7/8-20	1.03	25.16	.62	15.74	20	9.0	5000	1000	SEP-14
SEP-16	1-20	1.12	28.44	.62	15.74	12	5.4	2500	500	SEP-16
SEP-18	1 1/8-18	1.25	31.75	.62	15.74	13	5.8	2500	500	SEP-18
SEP-20	1 1/4-18	1.40	35.56	.62	15.74	14	6.3	2500	500	SEP-20
SEP-22	1 3/8-18	1.50	38.10	.62	15.74	17	7.6	2500	500	SEP-22
SEP-24	1 1/2-18	1.64	41.65	.62	15.74	8	3.6	1000	200	SEP-24
SEP-25	1 9/16-18	1.81	45.98	.62	15.74	10	4.5	1000	200	SEP-25
SEP-28	1 3/4-18	1.87	47.49	.62	15.74	11	4.9	1000	200	SEP-28
SEP-32	2-18	2.13	54.10	.62	15.74	12	5.4	1000	200	SEP-32
SEP-36	2 1/4-16	2.34	59.44	.62	15.74	15	6.8	1000	200	SEP-36
SEP-40	2 1/2-16	2.60	66.04	.62	15.74	18	8.1	1000	200	SEP-40

## CEP Series

Applicable Specs.: MS-90376-YB, NAS-837C

Caplug No.	Dimensions					Packaging				Caplug No.
	To Fit Thread Size	B		C		Standard Carton		Mini Pak Quantity		
		in	mm	in	mm	Shipping Wt. (Approx.)			No. of Pieces	
						lbs	kgs			
CEP-08	1/2-28	0.67	17.02	.55	13.97	5.4	12	5000	1000	CEP-08
CEP-10	5/8-24	0.76	19.05	.55	13.97	6.8	15	5000	1000	CEP-10
CEP-12	3/4-20	0.88	22.35	.56	14.22	9.9	22	5000	1000	CEP-12
CEP-14	7/8-20	1.02	25.91	.56	14.22	11.7	26	5000	1000	CEP-14
CEP-16	1-20	1.16	29.47	.55	13.97	5.8	13	2500	500	CEP-16
CEP-18	1 1/8-18	1.25	32.25	.55	13.97	6.8	15	2500	500	CEP-18
CEP-20	1 1/4-18	1.45	36.83	.55	13.97	8.6	19	2500	500	CEP-20
CEP-22	1 3/8-18	1.52	38.61	.54	13.72	9.4	21	2500	500	CEP-22
CEP-24	1 1/2-18	1.67	42.42	.55	13.97	4.5	10	1000	200	CEP-24
CEP-28	1 3/4-18	1.90	48.51	.55	13.97	6.3	14	1000	200	CEP-28
CEP-29	1 13/16-16	1.94	49.28	.56	14.22	5.8	13	1000	200	CEP-29
CEP-32	2-18	2.16	58.87	.55	13.97	7.2	16	1000	200	CEP-32
CEP-36	2 1/4-16	2.39	60.71	.57	14.47	8.1	18	1000	200	CEP-36
CEP-40	2 1/2-16	2.67	67.82	.56	14.22	8.1	18	1000	200	CEP-40
CEP-44	2 3/4-16	2.88	73.15	.56	14.22	5.8	13	500	100	CEP-44
CEP-48	3-16	3.12	79.50	.54	13.72	6.3	14	500	100	CEP-48

\* All SEC Static Dissipative Caplugs and CEC Conductive Caplugs are packaged in static dissipative poly bags.

## DP Series

Caplug No.	Dimensions								Packaging				Caplug No.
	A		B		C		D		Standard Carton		Mini Pak Quantity		
	in	mm	in	mm	in	mm	in	mm	Shipping Wt. (Approx.)			No. of Pieces	
									lbs	kgs			
DP XB-60	1.656	42.06	1.005	25.52	.34	8.64	1.16	29.46	4	1.81	500	100	DP XB-60
DP D-22264	2.422	61.52	1.425	36.19	.76	19.30	-	-	3	1.36	200	40	DP D-22264
DP A-60	1.430	36.32	.780	19.81	.40	10.16	1.09	27.68	13	5.89	500	100	DP A-60



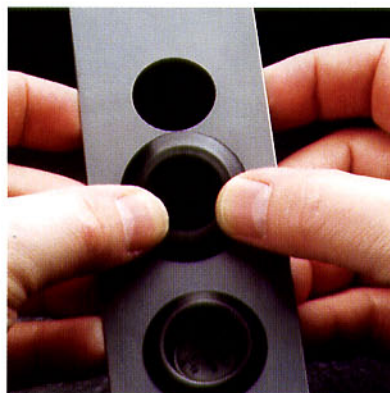
# PLUGS non-threaded

## BP Series Button Plugs with Recessed-Type Heads

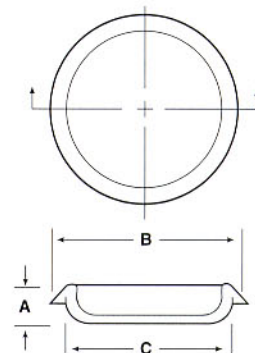


Series BP Button Plugs with recessed-type heads can be used for plugging holes in equipment made of sheet metal, such as automobile bodies, tanks, refrigeration units, etc.

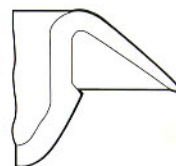
Series BP Button Plugs can be snapped into holes easily and are held in place by a bead until deliberately removed.



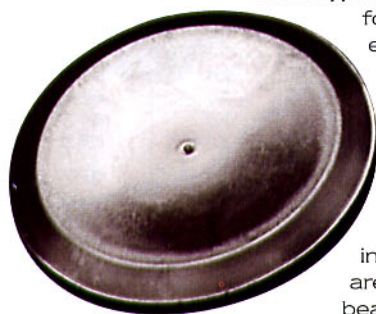
**MATERIAL:** Low Density Polyethylene  
**COLOR\*:** Black



**ENLARGED VIEW**



## BPF Series Button Plugs with Flush-Type Heads

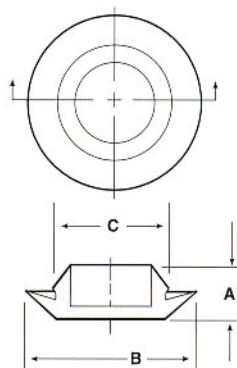


Series BPF Button Plugs with flush-type heads can be used for plugging holes in equipment made of sheet metal, such as automobile bodies, tanks, refrigeration units, etc. Series BPF Button Plugs can be snapped into holes easily and are held in place by a bead until deliberately removed.

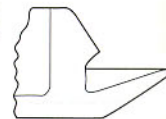


*Used on a car doorjamb*

**MATERIAL:** Low Density Polyethylene  
**COLOR\*:** Black



**ENLARGED VIEW**



# non-threaded PLUGS



## BP Series

Caplug No.	Dimensions										Packaging				Caplug No.
	Hole Size		Metal Thickness		A		B		C		Standard Carton		Mini Pak Quantity		
	in	mm	in	mm	in	mm	in	mm	in	mm	Shipping Wt. (Approx.) lbs	kgs		No. of Pieces	
BP-1/2	.50-.52	12.70-13.21	.02-.07	0.51-1.78	.29	7.37	.85	21.59	.55	13.97	6	2.7	5000	1000	BP-1/2
BP-1/2-4	.50-.52	12.70-13.21	.06-.13	1.52-3.30	.32	8.13	.85	21.59	.55	13.97	6	2.7	5000	1000	BP-1/2-4
BP-3/4	.73-.76	18.54-19.30	.02-.14	0.51-3.56	.36	9.14	1.16	29.47	.79	20.07	13	5.8	5000	1000	BP-3/4
BP-13/16	.79-.92	20.07-20.83	.02-.07	0.51-1.78	.29	7.37	1.15	29.21	.85	21.59	11	4.9	5000	1000	BP-13/16
BP-7/8	.87-.90	22.10-22.86	.02-.10	0.51-2.54	.35	8.89	1.23	31.24	.93	23.62	13	5.8	5000	1000	BP-7/8
BP-29/32	.90-.91	22.86-23.11	.02-.10	0.51-2.54	.35	8.89	1.25	31.75	.95	24.13	14	6.3	5000	1000	BP-29/32
BP-1	.99-1.02	25.15-25.91	.02-.10	0.51-2.54	.35	8.89	1.35	34.29	1.05	26.67	16	7.2	5000	1000	BP-1
BP-1-1/16	1.04-1.07	26.42-27.18	.02-.10	0.51-2.54	.35	8.89	1.40	35.56	1.10	27.94	18	8.1	5000	1000	BP-1-1/16
BP-1-3/32	1.09-1.12	27.69-28.45	.02-.10	0.51-2.54	.35	8.89	1.47	37.34	1.16	29.47	20	9	5000	1000	BP-1-3/32
BP-1-1/8	1.10-1.15	27.94-29.21	.02-.18	0.51-4.57	.43	10.92	1.53	38.86	1.18	29.97	13	5.8	5000	500	BP-1-1/8
BP-1-1/4	1.23-1.27	31.24-32.26	.01-.10	0.25-2.54	.35	8.89	1.60	40.64	1.30	33.02	13	5.8	2500	500	BP-1-1/4
BP-1-5/16	1.30-1.34	33.02-34.04	.01-.10	0.25-2.54	.35	8.89	1.67	42.42	1.36	34.55	15	6.8	2500	500	BP-1-5/16
BP-1-3/8	1.36-1.40	34.55-35.56	.02-.10	0.51-2.54	.35	8.89	1.73	43.94	1.43	36.32	12	5.4	2500	500	BP-1-3/8
BP-1-1/2	1.48-1.52	37.59-38.61	.02-.10	0.51-2.54	.35	8.89	1.85	46.99	1.55	39.37	15	6.8	2500	500	BP-1-1/2
BP-1-1/2-7	1.48-1.52	37.59-38.61	.13-.22	3.30-5.59	.50	12.70	1.83	46.48	1.54	39.12	18	8.1	2000	400	BP-1-1/2-7
BP-1-5/8	1.59-1.65	40.39-41.91	.03-.10	0.76-2.54	.36	9.14	2.00	50.80	1.68	42.67	12	5.4	1500	300	BP-1-5/8
BP-1-3/4	1.72-1.77	43.69-44.96	.02-.10	0.51-2.54	.35	8.89	2.10	53.34	1.80	45.72	19	8.6	2500	500	BP-1-3/4
BP-1-3/4-5	1.70-1.78	43.18-45.21	.02-.16	0.51-4.06	.43	10.92	2.25	57.15	1.80	45.72	22	9.9	2000	400	BP-1-3/4-5
BP-1-13/16	1.77-1.82	44.96-46.23	.02-.10	0.51-2.54	.35	8.89	2.16	54.87	1.85	46.99	18	8.1	2500	500	BP-1-13/16
BP-1-7/8	1.85-1.90	46.99-48.26	.02-.10	0.51-2.54	.35	8.89	2.24	56.90	1.93	49.02	17	7.6	2000	400	BP-1-7/8
BP-2	1.97-2.02	50.04-51.31	.02-.10	0.51-2.54	.36	9.14	2.35	59.69	2.05	52.07	11	4.9	1000	200	BP-2
BP-2-1/2	2.45-2.51	62.23-63.76	.02-.10	0.51-2.54	.35	8.89	2.85	72.39	2.54	64.52	18	8.1	1000	200	BP-2-1/2
BP-2-1/2-5	2.44-2.53	61.98-64.26	.02-.14	0.51-3.56	.43	10.92	3.00	76.20	2.55	64.77	19	8.6	1000	200	BP-2-1/2-5

## BPF Series

Caplug No.	Dimensions										Packaging				Caplug No.
	Hole Size		Metal Thickness		A		B		C		Standard Carton		Mini Pak Quantity		
	in	mm	in	mm	in	mm	in	mm	in	mm	Shipping Wt. (Approx.) lbs	kgs		No. of Pieces	
BPF-5mm**	.18-.19	4.57-4.90	.02-.04	0.51-1.02	.21	5.40	.39	9.90	.21	5.40	4	1.8	5000	1000	BPF-5mm**
BPF-6mm**	.23-.24	5.84-6.10	.02-.06	0.51-1.52	.45	11.40	.50	12.70	.29	7.40	3	1.3	5000	1000	BPF-6mm**
BPF-1/4***	.24-.25	6.10-6.35	.02-.07	0.51-1.78	.21	5.33	.5	12.70	.28	7.11	3	1.3	5000	1000	BPF-1/4***
BPF-1/4-4**	.24-.25	6.10-6.35	.07-.13	1.78-3.30	.3	7.62	.5	12.70	.28	7.11	4	1.8	5000	1000	BPF-1/4-4**
BPF-3/8	.37-.38	9.40-9.65	.02-.05	0.51-1.27	.19	4.83	.75	19.05	.41	10.41	5	2.2	5000	1000	BPF-3/8
BPF-3/8-3	.37-.38	9.40-9.65	.06-.11	1.52-2.79	.24	6.1	.75	19.05	.41	10.41	5	2.2	5000	1000	BPF-3/8-3
BPF-7/16	.43-.45	10.92-11.43	.03-.06	0.76-1.52	.22	5.59	.69	17.53	.47	11.94	7	3.1	5000	1000	BPF-7/16
BPF-1/2	.49-.51	12.45-12.95	.03-.08	0.76-2.03	.25	6.35	.86	21.84	.54	13.72	7	3.1	5000	1000	BPF-1/2
BPF-9/16	.55-.56	13.97-14.22	.03-.08	0.76-2.03	.25	6.35	.87	22.1	.67	15.24	7	3.1	5000	1000	BPF-9/16
BPF-5/8	.61-.63	15.49-16.00	.06-.08	1.52-2.03	.26	6.6	.81	20.57	.67	17.02	7	3.1	5000	1000	BPF-5/8
BPF-11/16	.68-.70	17.27-17.78	.03-.08	0.76-2.03	.25	6.35	1.01	25.66	.73	18.54	12	5.4	5000	1000	BPF-11/16
BPF-3/4	.73-.76	18.54-19.30	.05-.11	1.27-2.79	.29	7.37	1.01	25.66	.79	20.07	13	5.8	5000	1000	BPF-3/4
BPF-13/16-6	.80-.83	20.32-21.08	.16-.19	4.06-4.83	.37	9.4	1.11	28.2	.85	21.59	18	8.1	5000	1000	BPF-13/16-6
BPF-7/8	.86-.88	21.84-22.35	.03-.08	0.76-2.03	.25	6.35	1.16	29.47	.91	23.11	16	7.2	5000	1000	BPF-7/8
BPF-7/8-6	.86-.88	21.84-22.35	.13-.18	3.30-4.57	.36	9.14	1.16	29.47	.91	23.11	17	7.6	5000	1000	BPF-7/8-6
BPF-15/16	.92-.95	23.37-24.13	.03-.08	0.76-2.03	.25	6.35	1.31	33.28	.98	24.89	17	7.6	5000	1000	BPF-15/16
BPF-1	.98-1.01	24.89-25.66	.03-.08	0.76-2.03	.25	6.35	1.37	34.80	1.04	26.42	20	9	5000	1000	BPF-1
BPF-1-1/8-6	1.10-1.15	27.94-29.21	.02-.18	0.51-4.57	.43	10.92	1.53	38.86	1.18	29.97	13	5.8	5000	500	BPF-1-1/8-6
BPF-1-3/16	1.16-1.20	29.47-30.48	.03-.08	0.76-2.03	.25	6.35	1.56	39.63	1.22	30.99	12	5.4	2500	500	BPF-1-3/16
BPF-1-1/4	1.22-1.26	30.99-32.01	.03-.08	0.76-2.03	.25	6.35	1.62	41.15	1.29	32.77	14	6.3	2500	500	BPF-1-1/4
BPF-1-5/16	1.29-1.33	32.77-33.78	.03-.08	0.76-2.03	.25	6.35	1.68	42.67	1.36	34.55	14	6.3	2500	500	BPF-1-5/16
BPF-1-1/2	1.48-1.51	37.59-38.36	.02-.06	0.51-2.03	.25	6.35	1.88	47.75	1.54	39.12	18	8.1	2500	500	BPF-1-1/2
BPF-1-3/4	1.73-1.76	43.94-44.71	.03-.06	0.76-2.03	.25	6.35	2.13	54.1	1.79	45.47	10	4.5	1000	200	BPF-1-3/4
BPF-2	1.98-2.01	50.29-51.05	.03-.08	0.76-2.03	.29	7.36	2.36	59.94	2.04	51.81	12	5.4	1000	200	BPF-2
BPF-2-1/8	2.10-2.14	53.34-54.36	.03-.08	0.76-2.03	.25	6.35	2.49	63.25	2.17	55.12	15	6.8	1000	200	BPF-2-1/8
BPF-3	2.97-3.02	75.44-76.71	.03-.08	0.76-2.03	.25	6.35	3.36	85.35	3.06	77.73	17	7.6	750	150	BPF-3
BPF-3-1/8	3.10-3.15	78.74-80.01	.03-.08	0.76-2.03	.25	6.35	3.52	89.41	3.18	80.78	18	8.1	750	150	BPF-3-1/8
BPF-3-3/8	3.35-3.40	85.09-86.36	.03-.08	0.76-2.03	.28	7.11	3.75	95.25	3.43	87.13	14	6.3	500	100	BPF-3-3/8
BPF-3-1/2	3.47-3.52	88.14-89.41	.03-.11	0.76-2.79	.28	7.11	3.86	98.05	3.56	90.43	14	6.3	500	100	BPF-3-1/2
BPF-4	3.97-4.02	100.84-102.11	.05-.10	1.27-2.54	.28	7.11	4.37	111	4.13	104.9	18	8.1	500	100	BPF-4

\*\* BPF-5mm, BPF-6mm, BPF-1/4 and BPF-1/4-4 are EVA (ethylene vinyl acetate).

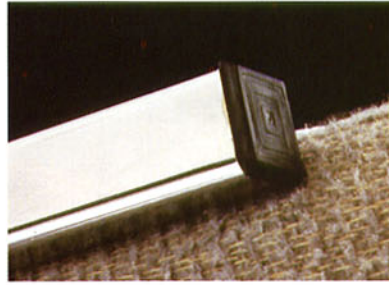


# PLUGS non-threaded

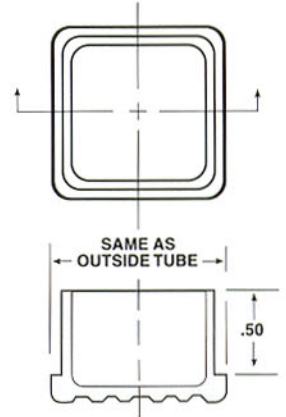
## FP Series Finishing Plugs for Square Tubing



Series FP closures are finishing plugs for square tubing. Sized for different gauges, their shoulders fit flush with tubing sides. In addition to keeping dirt and moisture out of sensitive areas, Series FP Plugs provide a clean finish to the square tube ends. They also protect against injury from sharp tubing edges.



**MATERIAL:** Low Density Polyethylene  
**COLOR\*:** Black

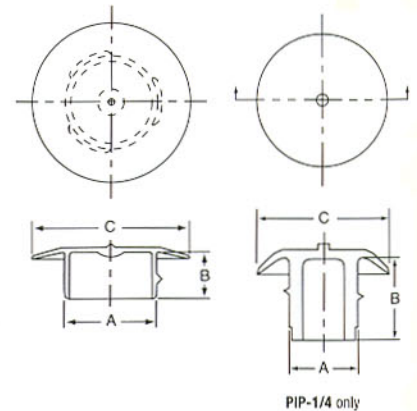


## PIP Series Push-In Plugs

Series PIP Plugs are designed to fit SAE thread sizes. These parts offer the convenience of a push-in plug with the plugging quality of a threaded plug.

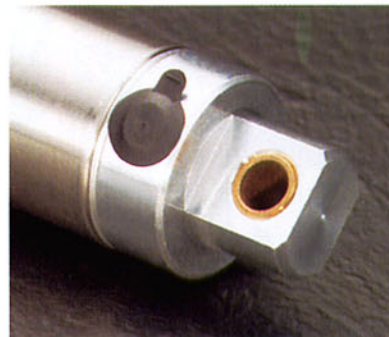


**MATERIAL:** Low Density Polyethylene  
**COLOR\*:** Black

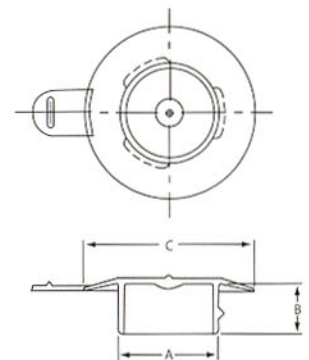


## PIP-TAB Series Push-In Plugs with Pull-Tab

Series PIP-Tab Plugs are designed to fit SAE thread sizes. These parts offer the convenience of a push-in plug with the plugging quality of a threaded plug. Series PIP-Tab also has a convenient pull-tab for easy removal.



**MATERIAL:** Low Density Polyethylene  
**COLOR\*:** Black



\* Consult the factory for other material/color options.



## FP Series

Caplug No.	Dimensions		Packaging				Caplug No.
	To Fit Tube Size Inches	Wall Thickness Inches	Standard Carton		Mini Pak Quantity		
			Shipping Wt. (Approx.)			No. of Pieces	
			lbs	kgs			
FP-125	0.75	.065 (16 Ga.)	14	6.3	5000	1000	FP-125
FP-161	1.00	.120 (11 Ga.)	12	5.4	2500	500	FP-161
FP-164	1.00	.083 (14 Ga.)	11	4.9	2500	500	FP-164
FP-165	1.00	.065 (16 Ga.)	13	5.8	2500	500	FP-165
FP-166	1.00	.049 (18 Ga.)	15	6.8	2500	500	FP-166
FP-167	1.00	.035 (20 Ga.)	17	7.6	2500	500	FP-167
FP-201	1.25	.120 (11 Ga.)	20	9	2500	500	FP-201
FP-204	1.25	.083 (14 Ga.)	17	7.6	2500	500	FP-204
FP-205	1.25	.065 (16 Ga.)	19	8.6	2500	500	FP-205
FP-241	1.50	.120 (11 Ga.)	11	4.9	1000	200	FP-241
FP-244	1.50	.083 (14 Ga.)	10	4.5	1000	200	FP-244
FP-245	1.50	.065 (16 Ga.)	11	4.9	1000	200	FP-245
FP-321	2.00	.120 (11 Ga.)	16	7.2	1000	200	FP-321
FP-324	2.00	.083 (14 Ga.)	15	6.8	1000	200	FP-324
FP-325	2.00	.065 (16 Ga.)	17	7.6	1000	200	FP-325

## PIP Series

Caplug No.	Dimensions								Packaging				Caplug No.
	To Fit Thread Size Inches	To Fit Thread Size Inches	A		B		C		Standard Carton		Mini Pak Quantity		
			in	mm	in	mm	in	mm	Shipping Wt. (Approx.)			No. of Pieces	
									lbs	kgs			
PIP-1/4*	1/4 SAE	-	.206	5.23	.25	6.35	.40	10.16	3	1.3	5000	1000	PIP-1/4*
PIP-3/8	3/8 SAE	1/8 NPT	.317	8.05	.24	6.10	.59	14.99	4	1.8	5000	1000	PIP-3/8
PIP-7/16	7/16 SAE	-	∅	∅	∅	∅	∅	∅	3	1.3	5000	1000	PIP-7/16
PIP-1/2	1/2 SAE	1/4 NPT	.444	11.28	.27	6.86	.72	18.29	5	2.2	5000	1000	PIP-1/2
PIP-9/16	9/16 SAE	-	∅	∅	∅	∅	∅	∅	5	2.2	5000	1000	PIP-9/16
PIP-5/8	5/8 SAE	3/8 NPT	.558	14.17	.29	7.37	.96	24.38	7	3.2	5000	1000	PIP-5/8
PIP-3/4	3/4 SAE	-	∅	∅	∅	∅	∅	∅	7	3.2	5000	1000	PIP-3/4
PIP-7/8	7/8 SAE	-	∅	∅	∅	∅	∅	∅	8	3.6	5000	1000	PIP-7/8

\*PIP-1/4 is EVA Material

## PIP-TAB Series

Caplug No.	Dimensions								Packaging				Caplug No.
	To Fit Thread Size Inches	To Fit Thread Size Inches	A		B		C		Standard Carton		Mini Pak Quantity		
			in	mm	in	mm	in	mm	Shipping Wt. (Approx.)			No. of Pieces	
									lbs	kgs			
PIP-3/8 TAB	3/8 SAE	1/8 NPT	0.317	8.05	0.24	6.10	0.59	14.99	4	1.8	5000	1000	PIP-3/8 TAB
PIP-7/16 TAB	7/16 SAE	-	∅	∅	∅	∅	∅	∅	4	1.8	5000	1000	PIP-7/16 TAB
PIP-1/2 TAB	1/2 SAE	1/4 NPT	0.444	11.28	0.27	6.86	0.72	18.29	6	2.7	5000	1000	PIP-1/2 TAB
PIP-9/16 TAB	9/16 SAE	-	∅	∅	∅	∅	∅	∅	6	2.7	5000	1000	PIP-9/16 TAB
PIP-5/8 TAB	5/8 SAE	3/8 NPT	0.558	14.17	0.29	7.37	0.96	24.38	8	3.6	5000	1000	PIP-5/8 TAB
PIP-3/4 TAB	3/4 SAE	-	∅	∅	∅	∅	∅	∅	8	3.6	5000	1000	PIP-3/4 TAB
PIP-7/8 TAB	7/8 SAE	-	∅	∅	∅	∅	∅	∅	9	4.1	5000	1000	PIP-7/8 TAB

∅Consult the factory